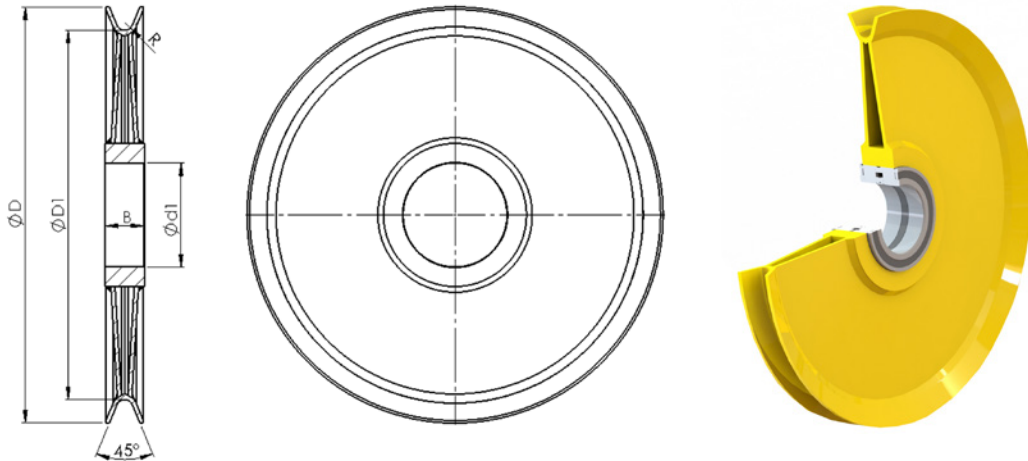


SHEAVES

Metallic sheaves

Welded sheaves

Two plates sheave



- Material (steel): cold laminated 2 plates + 2 welding
 - Rim: S355J2
 - Plates: S355J2+N
 - Hub: E355
- “D” diameter from Ø160mm to Ø2000mm.
- Hardness (groove): min 200HB.
Further by induction treatment upon request.
- Coating Protection: fully painted.
- Rope diam: acc to customer requirement.
- Assembly: with bearing upon request.
FAT upon request.
- Certificate: EN10204-3.1. For 3.2, and Load Test upon request.

METALLIC WELDED SHEAVES TWO PLATES SHEAVE									
Overall dimensions (mm)									Weight
No (Ø)	D1	D	d1	B	R	Rope	Bearing Ref.	Shaft Ø	kg
500	500	560	140	54	11	20	SL04 5018PP	90	37,5
560	560	630	150	54	12	22	SL04 5020PP	100	45
630	630	710	170	65	14	26	SL04 5022PP	110	55,5
710	710	800	180	65	15	28	SL04 5024PP	120	70
800	800	900	200	77	17,5	32	SL04 5026PP	130	92
900	900	1010	210	77	19,5	36	SL04 5028PP	140	132