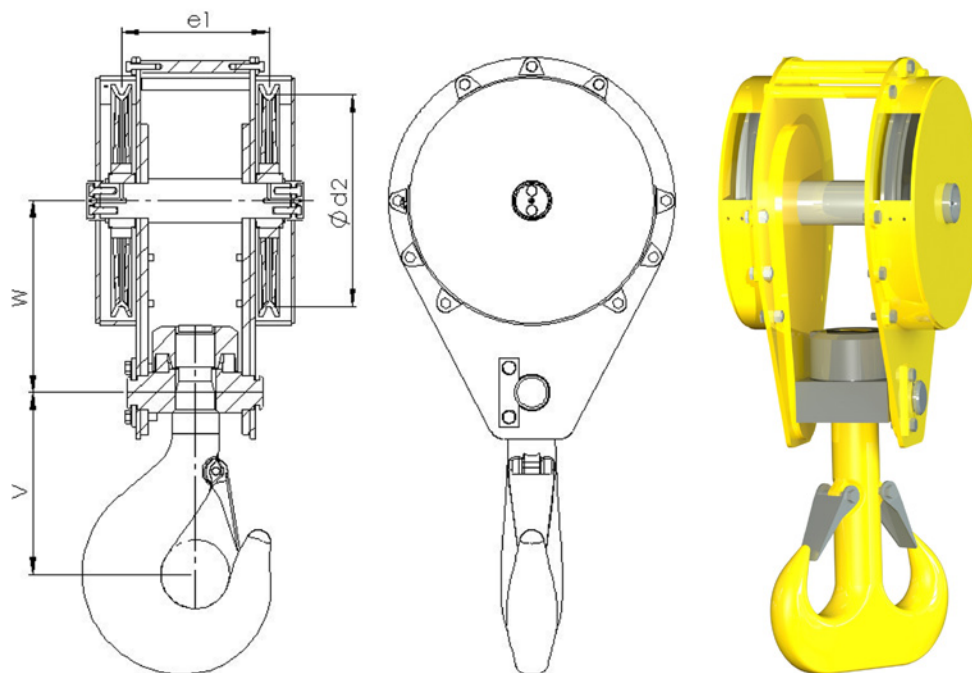


OVERHEAD/GANTRY CRANE BLOCKS

Heavy duty blocks Two Sheaves Block



- WLL: from 16t to 100t. Further sizes upon request.
- Hook: Single or Ramshorn. Forged and heat treated fully machined with nut & crosshead. Max size: 40 acc to DIN15400. Material grades: carbon (P) or alloy (T/V). Further hook sizes and higher alloy steels upon request.
- Sheave: 2 (4 falls). Cold Laminated, Welded or Solid. Further sheaves upon request.
- Bearing: axial for hook assembly + roller/ball for sheaves.
- Coating Protection: fully painted inside & outside.
- Certificate: EN10204-2.1. Load Test & FAT upon request.

HEAVY DUTY BLOCKS TWO SHEAVES BLOCK							
Overall dimensions (mm)						WLL (t) 1Bm/M3	Weight
Hook No	Ø Wire rope	d2	e1	V	W	P	kg
6	14	355	230	240	270	16	145
8	16	400	255	265	310	20	190
10	18	450	280	280	340	25	235
12	20	500	320	315	370	32	370
16	22	560	330	370	420	40	400
20	26	630	365	415	460	50	560
25	28	710	385	460	510	63	690
32	32	800	460	500	560	80	1000
40	36	900	495	565	640	100	1355