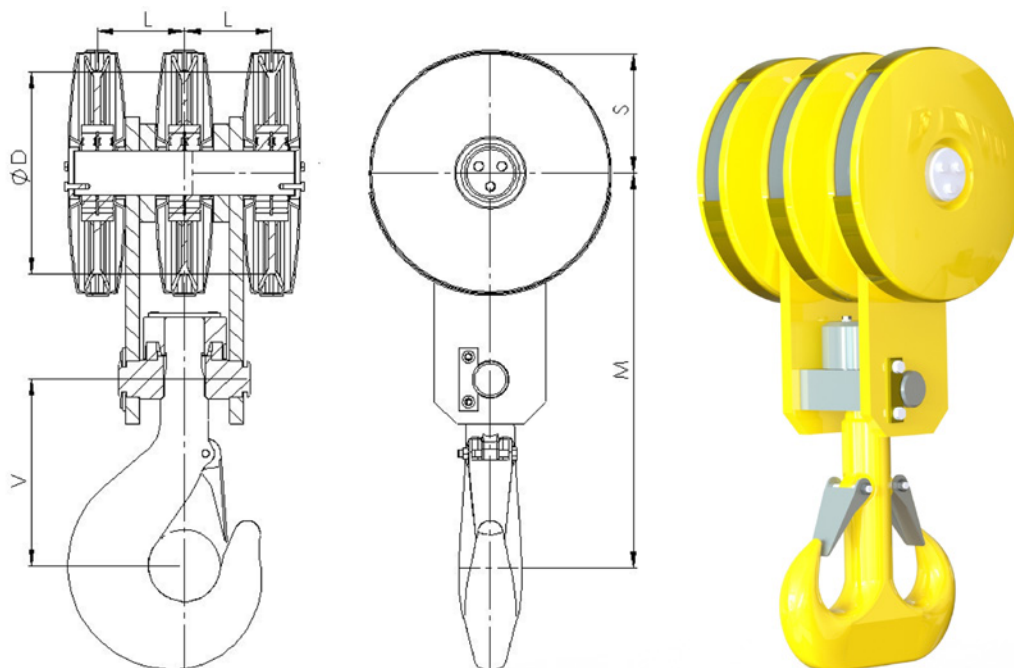


OVERHEAD/GANTRY CRANE BLOCKS

Light duty blocks Three Sheaves Block



- WLL: from 20t to 80t.
- Hook: Single or Ramshorn. Forged and heat treated fully machined with nut & crosshead. Max size: 20 acc to DIN15400. Material grades: carbon (P) or alloy (V).
- Sheave: 3 (6 falls). Cold Laminated or Technical Plastic. Max size 450mm (inner diameter).
- Bearing: axial for hook assembly + roller/ball for sheaves.
- Coating Protection: fully painted inside & outside.
- Certificate: EN10204-2.1. Load Test & FAT upon request.

LIGHT DUTY BLOCKS THREE SHEAVES BLOCK									
Overall dimensions (mm)							WLL (t) 1Bm/M3		Weight
Hook No	Ø Wire rope	ØD Sheave	L	V	M	S	P	T	kg
8	16	355	159	265	650	223	20	32	170
20	22	450	194,5	415	875	274	50	80	436