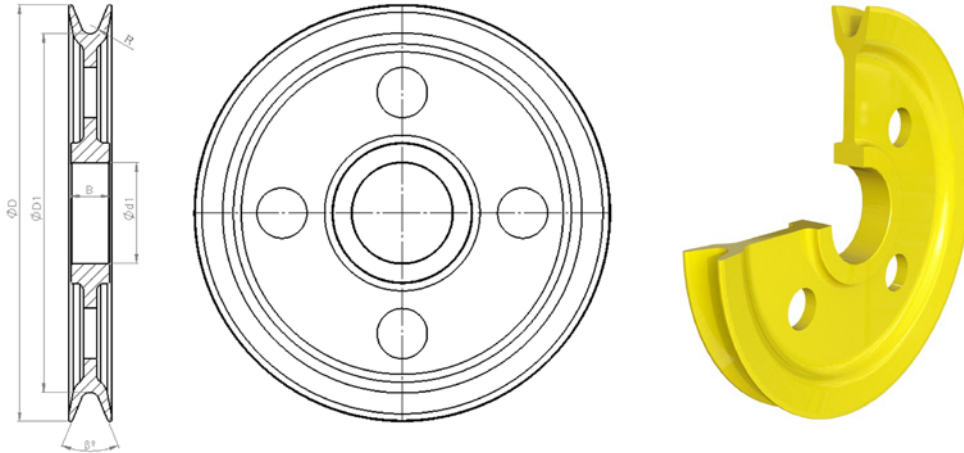


SHEAVES

Metallic sheaves

Free of weld sheaves

Solid sheaves



- Material: Completely machined from solid.
 - Carbon steel.
 - Alloy steel.
- “D” diameter up to Ø2000mm.
- Hardness: groove hardness depends on steel grade & treatments. Induction treatment upon request.
- Coating Protection: fully painted.
- Rope diam: acc to customer requirement.
- Assembly: with bearing upon request. FAT upon request.
- Certificate: EN10204-3.1. For 3.2, and Load Test upon request.