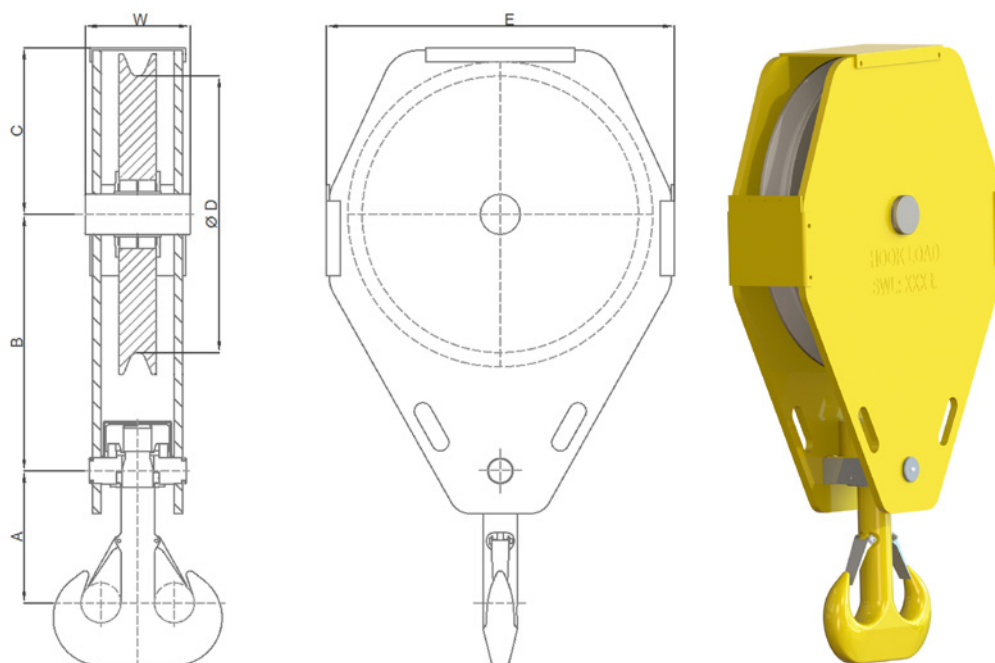


OFFSHORE CRANE BLOCKS

Single sheave offshore block



- WLL: from 80t to 500t.
- Hook: Single or Ramshorn. Forged and heat treated fully machined with nut & crosshead. Max size: 125 acc to DIN15400. Material grades: alloy (T/V). Further hook sizes upon request.
- Sheave: 1 (2 falls). Solid sheave.
- Bearing: axial for hook assembly + roller/spherical-roller for sheaves. Bronze bushing fully recommended.
- Coating Protection: fully painted inside & outside for offshore environment.
- Sealings: for offshore topsite and subsea lifting.
- Certificate: EN10204-2.1. Load Test & FAT upon request.

OFFSHORE CRANE BLOCKS | SINGLE SHEAVE BLOCK

Overall dimensions (mm)								WLL (t)	Weight
Hook No	Ø Wire rope	ØD	W	A	B	C	E	1Bm/M3	kg
20	42	800	382	445,5	900	520	1090	80	1500
32	56	1080	485	532	1150	670	1410	125	3346
50	70	1350	575	654,5	1350	830	1720	200	5707
80	74	1410	665	838	1500	870	1830	320	7992
100	76	1450	738	926	1500	890	1840	400	9307
125	86	1650	783	1036,5	1650	1020	2110	500	12557