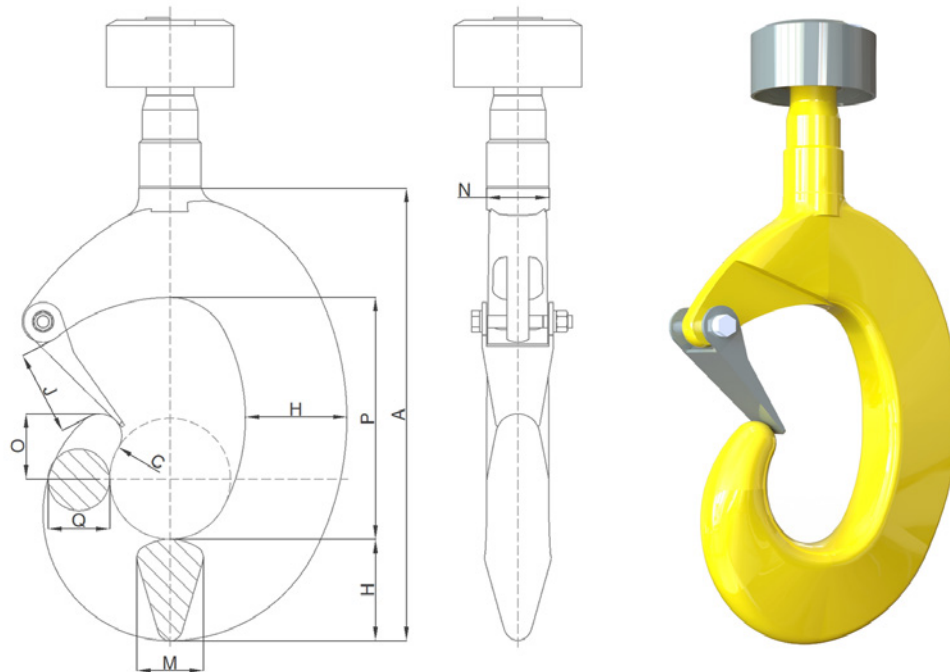


# SHANK HOOKS BASED ON EN13001-3-5:2016

Single forged cargo hooks based on BS2903:1980 design



- WLL: from 10t to 50t. Larger ones upon request.
- Hook forged and heat treated.
- Material: carbon, alloys and super alloys. Stainless steels available upon request.
- Mechanical properties: P, V.
- Safety Factor: min. 4:1 with the highest material grade.
- Load Test: requested / recommended.
- Certificate: EN10204-3.1. For 3.2, ILO-3, FAT or Breaking Test available upon request.

SINGLE FORGED CARGO HOOKS BASED ON BS2903:1980 DESIGN											
Overall dimensions (mm)											Weight
No	WLL (t)	C	A	P	H	J	M	O	Q	N	kg
5	10	70	258	140	59	50	38	38	35	41	5,5
6,3	13	78	287	156	66	55	43	42	39	46	8
8	16	88	324	176	74	62	48	48	44	51	11
10	20	98	361	196	82	70	54	53	49	56	15
12,5	25	110	405	220	92	78	60	59	55	61	22
16	32	124	456	248	104	88	68	67	62	66	32
20	40	139	512	278	117	99	76	75	70	76	45
25	50	156	574	312	131	111	86	84	78	81	63

WLL: for V material grade.  
Tolerances: -0/+7% forging tolerance.  
Modifications: Upon request.