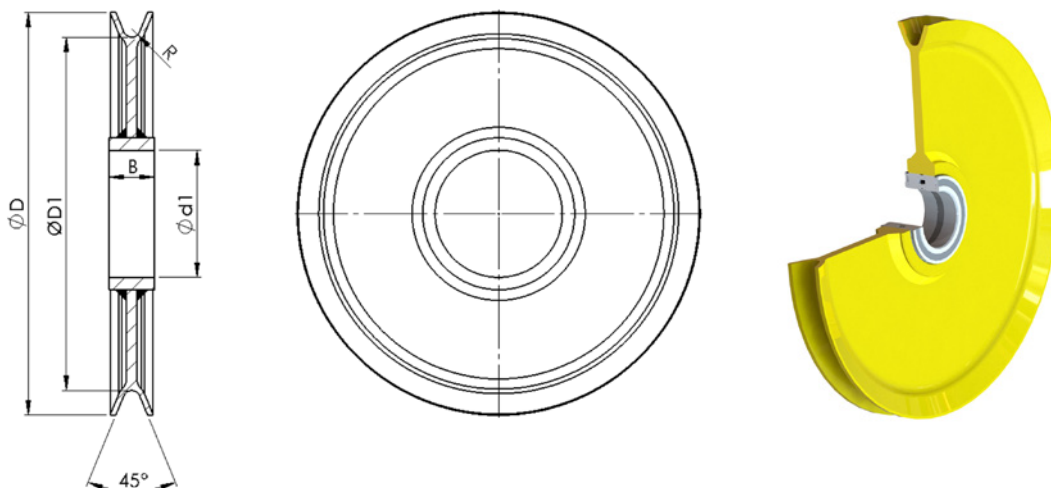


# SHEAVES

**Metallic sheaves**  
 Welded sheaves  
**One plate sheave**



- Material (steel): cold laminated 1 plate + 1 welding
  - Plates: S275JR
  - Hub: S355
- “D” diameter from Ø160mm to Ø800mm.
- Hardness (groove): min 200HB.  
 Further by induction treatment upon request.
- Coating Protection: fully painted.
- Rope diam: acc to customer requirement.
- Assembly: with bearing upon request. FAT upon request.
- Certificate: EN10204-3.1. For 3.2, and Load Test upon request.

METALLIC WELDED SHEAVES   ONE PLATE SHEAVE									
Overall dimensions (mm)									Weight
No (Ø)	D1	D	d1	B	R	Rope	Bearing Ref.	Shaft Ø	kg
160	160	192	75	35	4,5	8	6009-2RS	45	3,5
200	200	240	85	41	5,5	10	6209-2RS	45	5
280	280	335	110	48	8,5	16	6212-2RS	60	12
355	355	415	150	60	9,5	18	6217-2RS	85	17,5
450-1	450	520	180	72	12,5	24	6220-2RS	100	34
450-2	450	520	150	54	12,5	24	SL04 5020PP	100	31,5
550	550	630	180	65	13,5	25	SL04 5024PP	120	43
650	650	735	225	81	15	28	SL04 5030PP	150	67