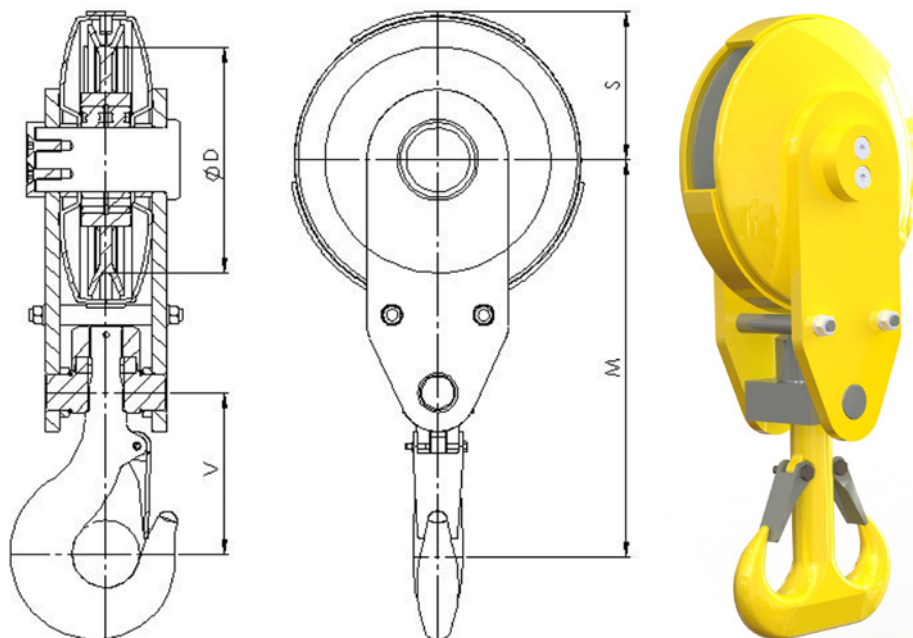


# OVERHEAD/GANTRY CRANE BLOCKS

## Light duty blocks One Sheave Block



- WLL: from 2t to 32t.
- Hook: Single or Ramshorn. Forged and heat treated fully machined with nut & crosshead. Max size: 8 acc to DIN15400. Material grades: carbon (P) or alloy (V).
- Sheave: 1 (2 falls). Cold Laminated or Technical Plastic. Max size 450mm (inner diameter).
- Bearing: axial for hook assembly + roller/ball for sheaves.
- Coating Protection: fully painted inside & outside.
- Certificate: EN10204-2.1. Load Test & FAT upon request.

LIGHT DUTY BLOCKS   ONE SHEAVE BLOCK								
Overall dimensions (mm)						WLL (t) 1Bm/M3		Weight
Hook No	Ø Wire rope	ØD Sheave	V	M	S	P	T	kg
0,8	7 - 8	160	120	285	105	2	-	12
1,6	9 - 10	200	140	345	131	4	6,3	20
2,5	15 - 16	280	155	435	180	6,3	10	36
4	16 - 18	355	175	500	223	10	16	73
5	16 - 18	355	195	520	223	12,5	20	79
6	22 - 24	450	240	630	274	16	25	126
8	22 - 24	450	265	670	274	20	32	137