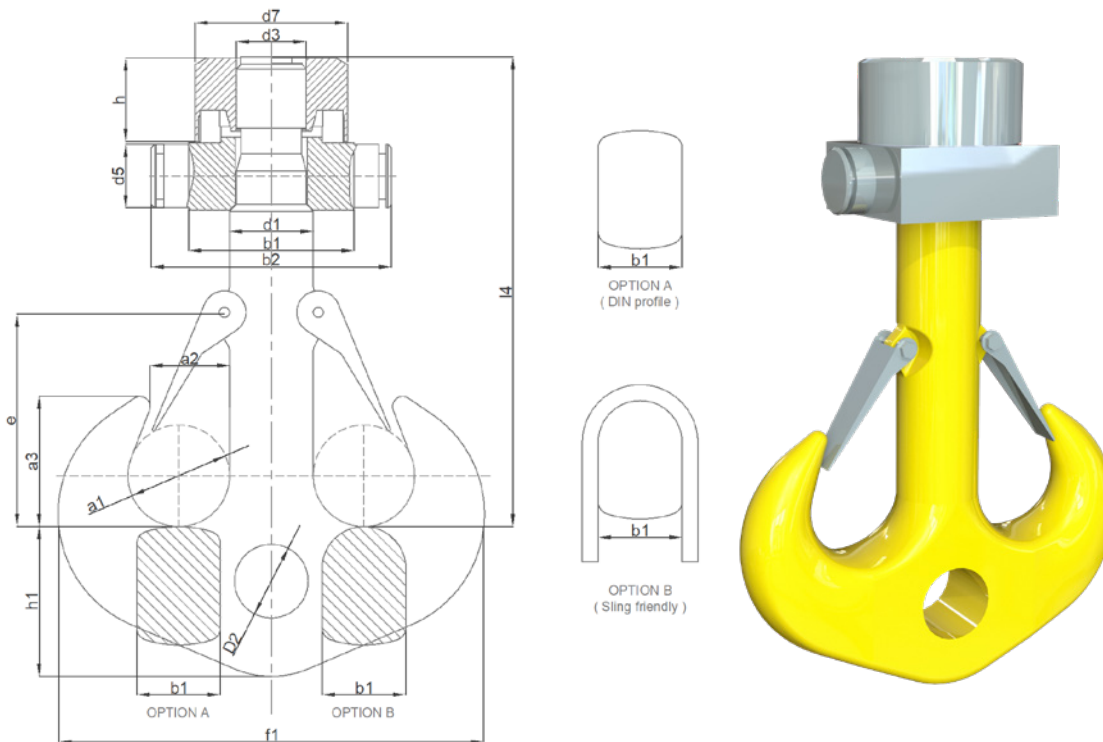


SHANK HOOKS BASED ON EN13001-3-5:2016

Ramshorn forged hooks based on recognized european standards
 Ramshorn forged hooks based on DIN15402-B design
Machined fitted with nut, crosshead and bearing



- WLL: from 10t to 2.000t (bottom hole included).
- Hook, Nut and crosshead forged, heat treated and thread fully machined as per DIN15403 design.
- Material: carbon, alloys and super alloys.
Stainless steels available upon request.
- Mechanical properties: P, S, T, V, W.
- Safety Factor: min. 4:1 with the highest material grade.
- Load Test: requested / recommended.
- Certificate: EN10204-3.1. For 3.2, ILO-3, FAT or Breaking Test available upon request.

RAMSHORN FORGED HOOKS BASED ON DIN15402-B DESIGN MACHINED FITTED WITH NUT, CROSSHEAD AND BEARING																	
Overall dimensions (mm)												DIN15412 Crosshead			DIN15413 Nut		Weight
No	a1	a2	a3	b1	d1	e	f1	D2 H15	h1	d3	l4	b1	b2	d5 h9	d7	h	kg
10	90	71	116	75	75	192	377	74	130	Rd64x8	435	160	230	55	145	76	61,7
12	100	80	130	85	85	210	421	78	150	Rd72x8	492	180	265	60	165	87	87,5
16	112	90	146	95	95	237	471	86	170	Rd80x10	562	190	275	70	175	91	118,9
20	125	100	163	106	106	265	531	96	190	Rd90x10	628	200	295	80	185	102	161
25	140	112	182	118	118	315	598	106	212	Rd100x12	696	220	318	90	205	113	221,5
32	160	125	205	132	132	335	672	116	236	Rd110x12	768	260	378	100	240	131	323
40	180	140	230	150	150	375	754	131	265	Rd125x14	863	285	415	110	270	144	462
50	200	160	260	170	170	420	842	146	300	Rd140x16	944	335	465	125	320	153	656
63	224	180	292	190	190	460	944	168	335	Rd160x18	1072	380	522	140	360	181	921
80	250	200	325	212	212	515	1062	188	375	Rd180x20	1212	420	565	160	400	198	1281
100	280	224	364	236	236	575	1186	208	425	Rd200x22	1351	470	645	180	445	228	1788
125	315	250	408	265	265	645	1330	235	475	Rd225x24	1522	510	685	200	490	246	2496
160	355	280	458	300	300	725	1505	260	530	Rd250x28	1714	550	750	220	530	274	3485
200	400	315	515	335	335	800	1685	282	600	Rd280x32	1962	610	810	240	590	343	4911
250	450	355	580	375	375	875	1885	312	670	Rd320x36	2217	700	920	260	680	383	7037
320	500	400	650	425	425	950	2125	340	750	Rd360x36	2505	790	1030	280	760	433	9302
400	560	450	730	475	475	1045	2375	378	840	Rd400x36	2820	895	1145	300	865	482	13133

Tolerances: forging tolerance acc. to DIN15402. Machining tolerances as per DIN15403.
 Modifications: Shank length (L). Further dimensions upon request.
 Hook section: b1xH; other sections can be design.