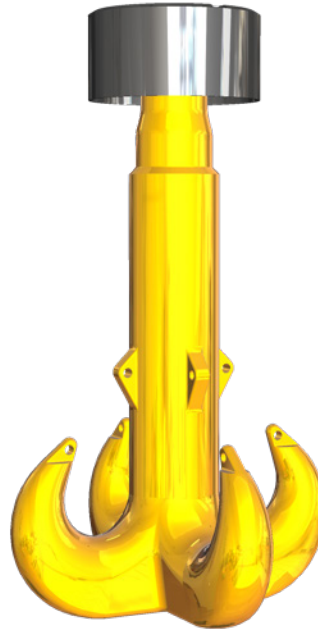
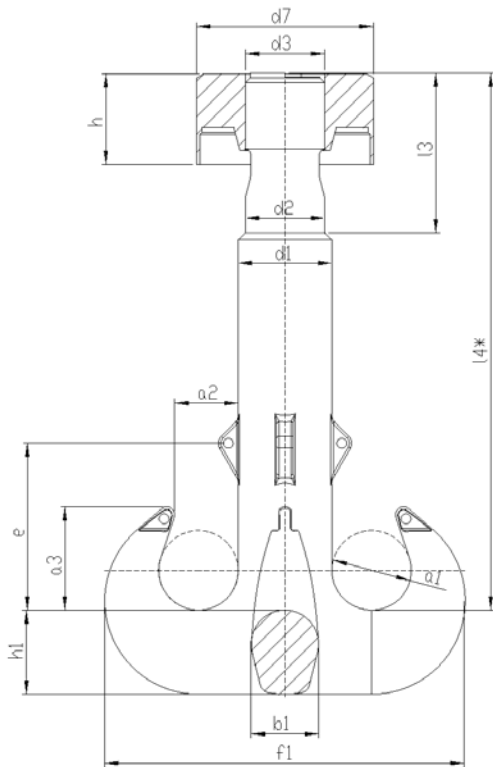


SHANK HOOKS BASED ON EN13001-3-5:2016

Quad forged hooks based on DIN15402-C design
Machined fitted with nut



- WLL: from 160t to 4.000t with equal load on 4 prongs/horns.
- Hook and Nut forged, heat treated and thread fully machined as per DIN15403 design.
- Material: super alloys.
- Mechanical properties: V, W.
- Safety Factor: min. 4:1 with the highest material grade.
- Load Test: requested / recommended.
- Certificate: EN10204-3.1. For 3.2, ILO-3, FAT or Breaking Test available upon request.

| QUAD FORGED HOOKS BASED ON DIN15402-C MACHINED FITTED WITH NUT | | | | | | | | | | | | | | | | |
|--|---------|-----|-----|-----|-----|-----|------|------|-----|--------|----------|------|------|--------------|--------|-------|
| Overall dimensions (mm) | | | | | | | | | | | | | | DIN15413 Nut | Weight | |
| No | WLL (t) | a1 | a2 | a3 | b1 | d1 | e | f1 | h1 | d2 h11 | d3 | l3 | l4* | d7 | h | kg |
| 16 | 160 | 112 | 90 | 146 | 95 | 132 | 237 | 508 | 118 | 110 | Rd110x12 | 232 | 768 | 240 | 131 | 168 |
| 20 | 200 | 125 | 100 | 163 | 106 | 150 | 265 | 575 | 132 | 125 | Rd125x14 | 257 | 863 | 270 | 144 | 241 |
| 25 | 250 | 140 | 112 | 182 | 118 | 170 | 315 | 650 | 150 | 140 | Rd140x16 | 280 | 944 | 320 | 153 | 342 |
| 32 | 320 | 160 | 125 | 205 | 132 | 190 | 335 | 730 | 170 | 160 | Rd160x18 | 322 | 1072 | 360 | 181 | 490 |
| 40 | 400 | 180 | 140 | 230 | 150 | 212 | 375 | 816 | 190 | 180 | Rd180x20 | 357 | 1212 | 400 | 198 | 743 |
| 50 | 500 | 200 | 160 | 260 | 170 | 236 | 420 | 908 | 212 | 200 | Rd200x22 | 402 | 1351 | 445 | 228 | 958 |
| 63 | 640 | 224 | 180 | 292 | 190 | 265 | 460 | 1019 | 236 | 225 | Rd225x24 | 465 | 1522 | 490 | 246 | 1348 |
| 80 | 800 | 250 | 200 | 325 | 212 | 300 | 515 | 1150 | 265 | 250 | Rd250x28 | 510 | 1714 | 530 | 274 | 1879 |
| 100 | 1000 | 280 | 224 | 364 | 236 | 335 | 575 | 1285 | 300 | 280 | Rd280x32 | 613 | 1962 | 590 | 343 | 2648 |
| 125 | 1260 | 315 | 250 | 408 | 265 | 375 | 645 | 1440 | 335 | 320 | Rd320x36 | 690 | 2217 | 680 | 383 | 3725 |
| 160 | 1600 | 355 | 280 | 458 | 300 | 425 | 725 | 1630 | 375 | 370 | Rd360x36 | 780 | 2505 | 760 | 433 | 5228 |
| 200 | 2000 | 400 | 315 | 515 | 335 | 475 | 800 | 1825 | 425 | 415 | Rd400x36 | 875 | 2820 | 865 | 482 | 7420 |
| 250 | 2600 | 450 | 355 | 580 | 375 | 550 | 875 | 2100 | 475 | 480 | Rd480x36 | 985 | 3175 | 975 | 540 | 10465 |
| 320 | 3200 | 500 | 400 | 650 | 425 | 625 | 950 | 2390 | 530 | 550 | Rd550x36 | 1110 | 3570 | 1090 | 600 | 14790 |
| 400 | 4000 | 560 | 450 | 730 | 475 | 725 | 1045 | 2775 | 600 | 640 | Rd640x36 | 1250 | 4020 | 1220 | 670 | 21240 |

WLL based on V material grade.
Tolerances: -0/+7% forging tolerance. Machining tolerances as per DIN15403.
Modifications: Shank length (L). Further dimensions upon request.
Hook section: b1xH; other sections can be design.