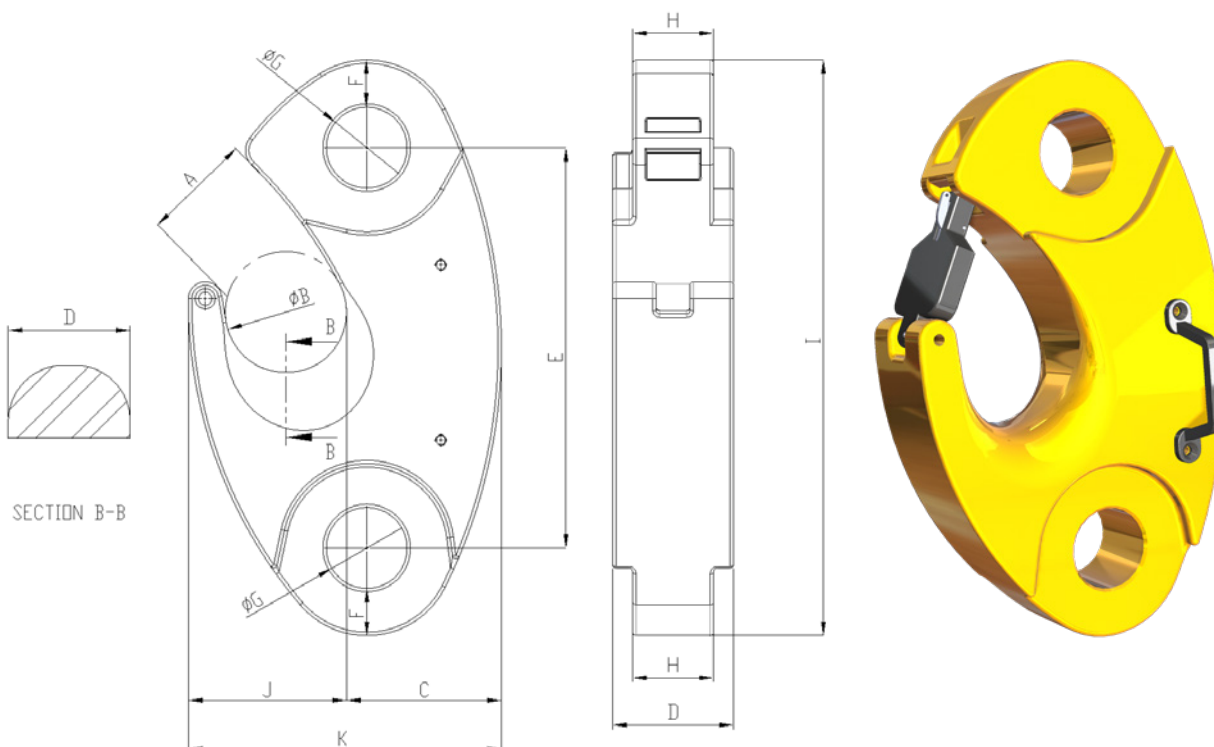


FORGED ROV HOOKS

CUSTOMIZATION
UPON REQUEST

Load Transfer ROV eye hook



- WLL: from 150t to 500t.
- Hook forged and heat treated. Guaranteed grain orienting.
- Material: carbon, alloys and super alloys. Most regular: super alloy steel (R4).
- Surface Protection & Coatings: upon request
- Safety Factor: min. 4:1.
- Load Test: requested / recommended. ILO-3, FAT or Breaking Test available upon request.
- Certificate: EN10204-3.1. For 3.2, Mooring Accessory Cert with ABS and DNV upon request.

FORGED ROV HOOKS LOAD TRANSFER ROV EYE HOOK													
Overall dimensions (mm)												Weight	
WLL (t)	MBL (t)	A	B	C	D	E	F	G	H	I	J	K	kg
150	600	162	180	230	180	594	70	224	120	854	235	465	290
200	800	180	210	260	200	663	77	136	145	953	289	549	440
250	1000	200	250	290	224	724	90	150	164	1054	325	615	580
300	1200	205	300	320	250	853	100	160	170	1213	390	710	870
400	1600	240	320	350	280	894	105	180	180	1284	396	746	1055
500	2000	250	340	390	315	988	110	190	215	1398	428	818	1500

WLL working load limit using R4 material.
Forging tolerances: +/-5%.