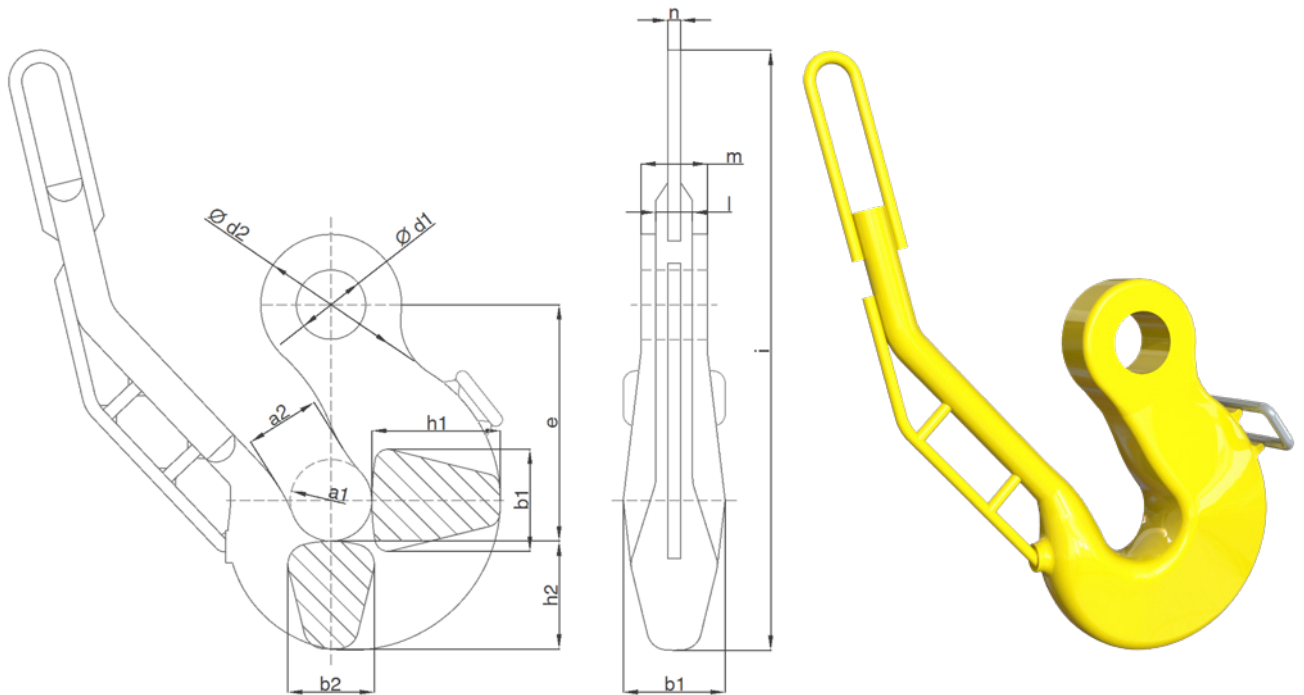


# FORGED ROV HOOKS

## KS ROV eye hook



- WLL: from 200t to 345t.
- Hook forged and heat treated (nose welded). Body fully bended with 100% grain orienting.
- Material: carbon, alloys and super alloys. Most regular: super alloy steel (R4).
- Surface Protection & Coatings: upon request.
- Safety Factor: min. 4:1.
- Load Test: requested / recommended. ILO-3, FAT or Breaking Test available upon request.
- Certificate: EN10204-3.1. For 3.2, Mooring Accessory Cert with ABS and DNV upon request.

FORGED ROV HOOKS   KS ROV EYE HOOK														
Overall dimensions (mm)														Weight
No	a1	a2	b1	b2	d1	d2	e	h1	h2	i	l	m	n	kg
KS40	200	165	200	170	135	334	578	250	225	1440	90	130	32	395
KS50	200	180	245	200	170	345	580	315	256	1470	90	163	32	610

WLL working load limit using R4 material.  
 Tolerances: -0/+7% forging tolerance.  
 Eye dimensions (d1,d2,m) can be modified.