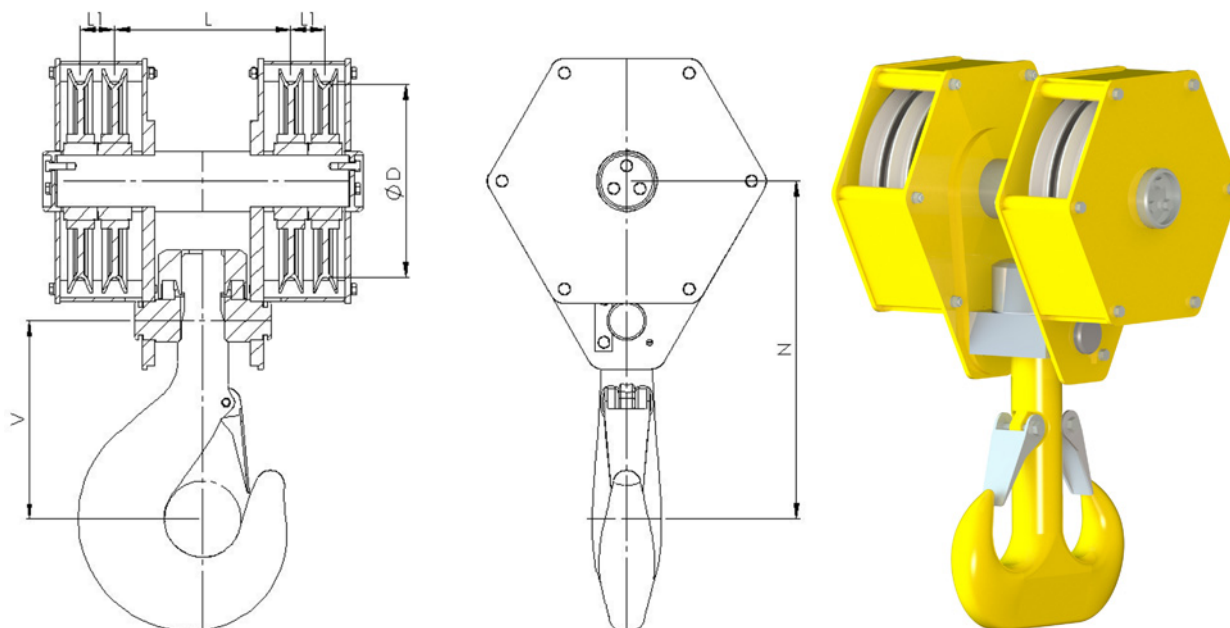


# OVERHEAD/GANTRY CRANE BLOCKS

## Medium duty blocks Four Sheaves Block



- WLL: from 12t to 200t. Further sizes upon request.
- Hook: Single or Ramshorn. Forged and heat treated fully machined with nut & crosshead. Max size: 63 acc to DIN15400. Material grades: carbon (P) or alloy (T/V). Further hook sizes and higher alloys upon request.
- Sheave: 4 (8 falls). Cold Laminated, Welded or Solid. Further sheaves upon request.
- Bearing: axial for hook assembly + roller/ball for sheaves.
- Coating Protection: fully painted inside & outside.
- Certificate: EN10204-2.1. Load Test & FAT upon request.

**MEDIUM DUTY BLOCKS | FOUR SHEAVES BLOCK**

Overall dimensions (mm)							WLL (t) 1Bm/M3	Weight
Hook No	Ø Wire rope	D	L	L1	V	N	P	kg
5	12	290	200	53	195	395	12,5	180
6	12	290	220	53	240	460	16	200
8	16	400	240	53	265	565	20	240
10	20	400	270	60	280	580	25	270
16	20	400	320	65	370	680	40	420
20	20	440	350	80	415	740	50	563
25	22	450	410	80	460	785	63	570
32	24	640	450	90	500	1005	80	870
40	28	710	490	100	565	1130	100	1150
50	30	810	560	105	620	1240	125	1540
63	34	910	620	115	700	1380	160	2600