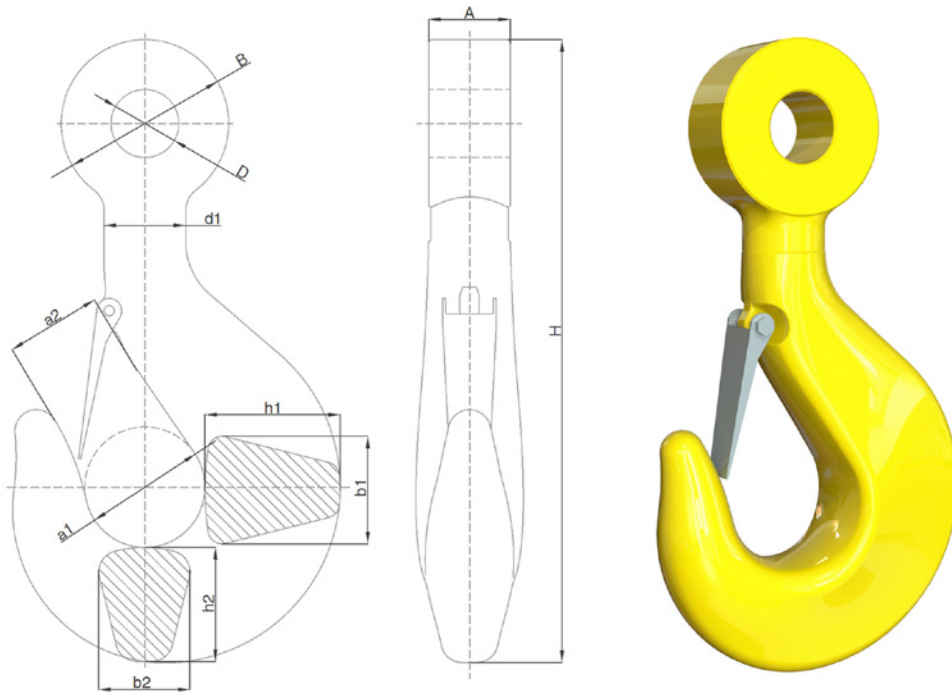


EYE HOOKS

Eye forged single hooks based on recognized european designs & Irizar designs
Eye forged single FIX hook based on IRIZAR DESIGN



- WLL: from 80t to 2.000t. Larger ones upon request.
- Hook forged and heat treated.
- Material: carbon, alloys and super alloys. Stainless steels available upon request.
- Mechanical properties: P, V.
- Safety Factor: min. 4:1 with the highest material grade.
- Load Test: requested / recommended.
- Certificate: EN10204-3.1. For 3.2, ILO-3, FAT or Breaking Test available upon request.

EYE FORGED SINGLE FIX HOOK BASED ON IRIZAR DESIGN														
Overall dimensions (mm)														Weight
No	WLL (t)	MBL (t)	a1	a2	b1	b2	h1	h2	d1	A	D	B	H	kg
16	80	320	140	112	125	106	160	132	95	110	87	180	746	96
20	100	400	160	125	140	118	180	150	106	118	100	210	812	137
25	120	480	180	140	160	132	200	170	118	134	100	210	927	190
32	150	600	200	160	180	150	224	190	132	140	114	240	1052	272
40	200	800	224	180	200	170	250	212	150	150	137	290	1201	397
50	250	1000	250	200	224	190	280	236	170	170	147	310	1314	531
63	300	1200	280	224	250	212	315	265	190	190	158	330	1448	730
80	400	1600	315	250	280	236	355	300	212	205	184	380	1685	1033
100	500	2000	355	280	315	265	400	335	236	230	194	400	1871	1430
125	600	2400	400	315	355	300	450	375	265	255	215	450	2075	1998
160	800	3200	450	355	400	335	500	425	300	280	240	500	2294	2786
200	1000	4000	500	400	450	375	560	475	335	320	280	580	2450	3868
250	1250	5000	560	450	500	425	630	530	375	355	315	650	2810	5442
320	1550	6200	630	500	560	475	710	580	425	355	335	680	3060	7231
400	1800	7200	710	560	630	530	800	630	475	410	395	750	3430	9995

WLL: for V material grade.
 Tolerances: -0/+7% forging tolerance.
 Modifications: H, D and A. Others upon request.