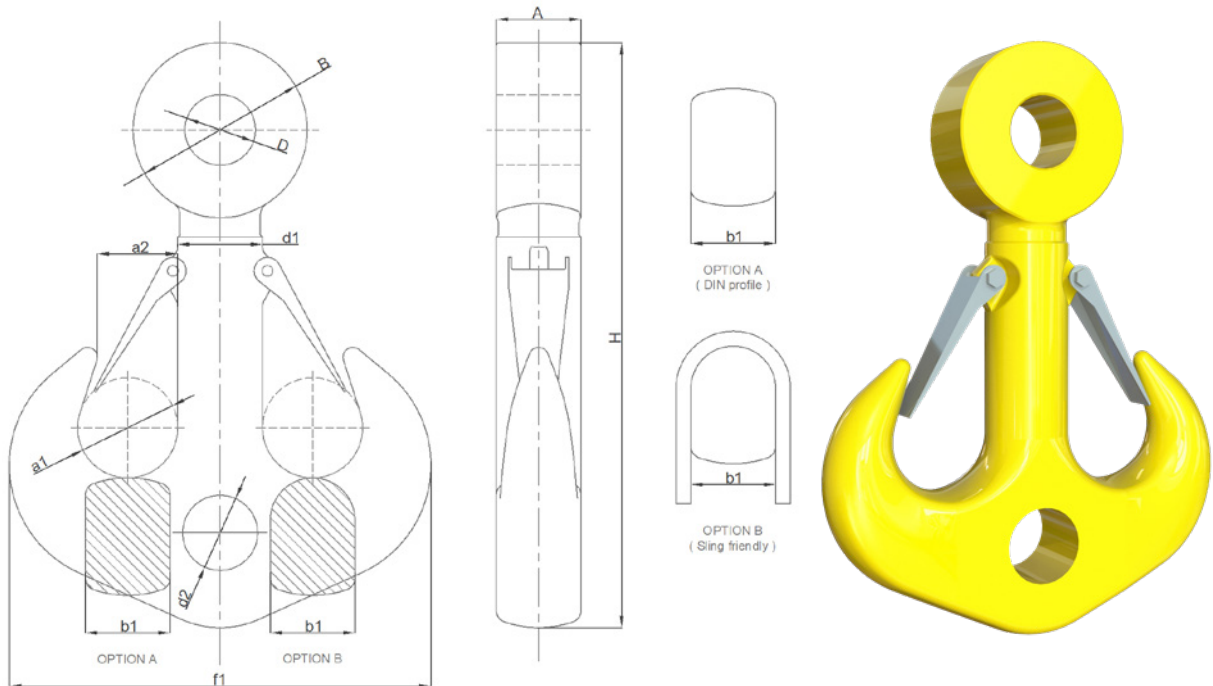


EYE HOOKS

Eye forged ramshorn hooks based on recognized european designs & Irizar designs
Eye forged Ramshorn B hook based on IRIZAR design



- WLL: from 80t to 2.000t (bottom hole included).
Larger ones upon request.
- Hook forged and heat treated.
- Material: carbon, alloys and super alloys.
Stainless steels available upon request.
- Mechanical properties: P, V.
- Safety Factor: min. 4:1 with the highest material grade.
- Load Test: requested / recommended.
- Certificate: EN10204-3.1. For 3.2, ILO-3, FAT or Breaking Test available upon request.

EYE FORGED RAMSHORN B HOOK BASED ON IRIZAR DESIGN													
Overall dimensions (mm)													Weight
No	WLL (t)	MBL (t)	a1	a2	b1	d1	d2H15	f1	A	D	B	H	kg
16	80	320	112	90	95	95	86	471	110	87	180	678	84
20	100	400	125	100	106	106	96	531	118	100	210	771	125
25	120	480	140	112	118	118	106	598	134	100	210	862	169
32	150	600	160	125	132	132	116	672	140	114	240	938	236
40	200	800	180	140	150	150	131	754	150	137	290	1080	353
50	250	1000	200	160	170	170	146	842	170	147	310	1201	468
63	300	1200	224	180	190	190	168	944	190	158	330	1308	633
80	400	1600	250	200	212	212	188	1062	205	184	380	1518	898
100	500	2000	280	224	236	236	208	1186	230	194	400	1660	1240
125	600	2400	315	250	265	265	235	1330	255	215	450	1848	1730
160	800	3200	355	280	300	300	260	1505	280	240	500	2034	2442
200	1000	4000	400	315	335	335	282	1685	320	280	580	2300	3490
250	1250	5000	450	355	375	375	312	1885	355	315	650	2553	4855
320	1550	6200	500	400	425	425	330	2125	355	335	680	2755	6950
400	1800	7200	560	450	475	475	370	2375	410	395	750	2980	9834

WLL: for V material grade.

Tolerances: -0/+7% forging tolerance.

Modifications: H, D and A. Others upon request.