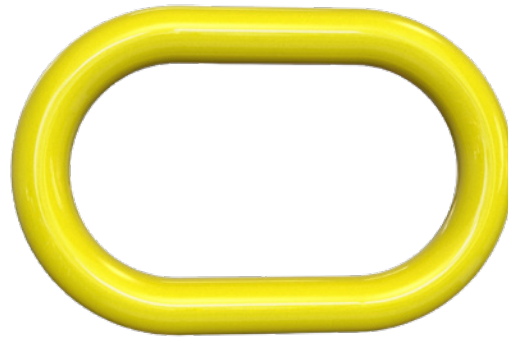
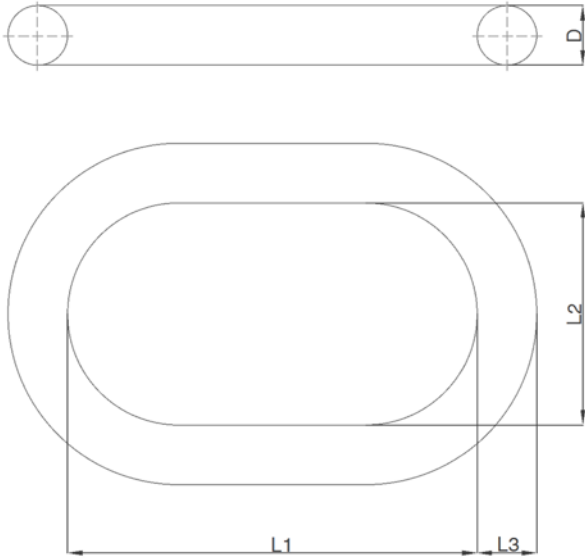


HEAVY DUTY MASTER LINK

COMPLETELY
WELDLESS



- WLL: from 155t to 1.500t.
- Master links forged and heat treated.
- Material: carbon steel, alloy and super alloy. Most regular super alloy steel (R4).
- Coating Protection: upon request.
- Safety Factor: 5:1.
- Load Test: requested and recommended. ILO-3, FAT or Breaking Test available upon request.
- Certificate: EN10204-3.1. For 3.2, Mooring Accessory Cert with ABS and DNV upon request.

CONNECTORS HEAVY DUTY MASTER LINK						
Overall dimensions (mm)						Weight
WLL (t)	MBL (t)	D	L1	L2	L3	kg
131	524	90	460	300	90	77
157	628	100	500	300	100	103
250	1000	115	600	400	115	165
300	1200	115	600	300	115	160
400-1	2000	115	490	250	115	135
400-2	2000	115	700	250	115	169
400-3	1600	155	800	400	205	525
500	2000	175	800	400	220	648
600	2400	195	800	400	230	763
700	2800	200	850	400	235	835
800	3200	210	850	400	245	922
900	3600	230	900	400	270	1182
1000	4000	240	900	400	280	1292
1250	5000	260	1000	400	310	1695
1500	6000	270	1000	400	320	1832

Forging tolerances +/-5%.

CRANE HOOKS

CRANE BLOCKS

SUBSEA HOOKS

SHACKLES

SWIVELS

CONNECTORS

ROPE ACCESSORIES