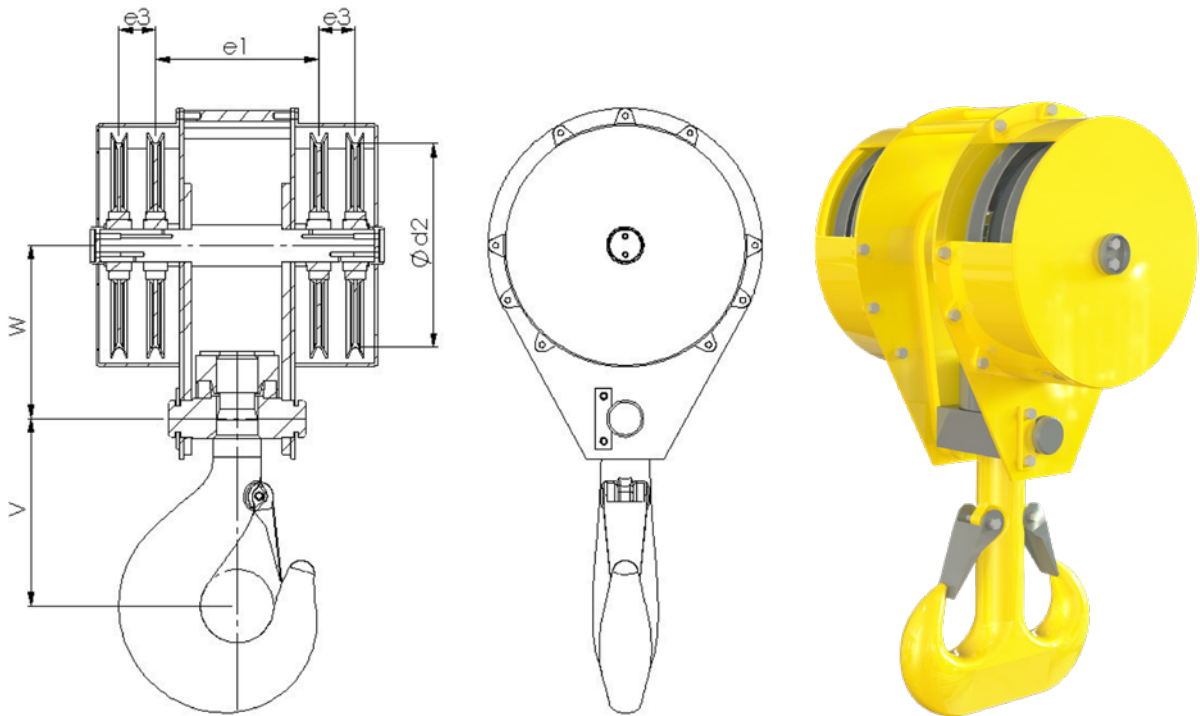


OVERHEAD/GANTRY CRANE BLOCKS

Heavy duty blocks Four Sheaves Block



- WLL: from 60t to 500t. Further sizes upon request.
- Hook: Single or Ramshorn. Forged and heat treated fully machined with nut & crosshead. Max size: 125 acc to DIN15400. Material grades: carbon (P) or alloy (T/V). Further hook sizes and higher alloy steels upon request.
- Sheave: 4 (8 falls). Cold Laminated, Welded or Solid. Further sheaves upon request.
- Bearing: axial for hook assembly + roller/ball for sheaves.
- Coating Protection: fully painted inside & outside.
- Certificate: EN10204-2.1. Load Test & FAT upon request.

HEAVY DUTY BLOCKS FOUR SHEAVES BLOCK								
Overall dimensions (mm)							WLL (t) 1Bm/M3	Weight
Hook No	Ø Wire rope	d2	e1	e3	V	W	P	kg
25	20	560	400	100	460	420	63	685
32	22	630	465	105	500	470	80	955
40	26	710	520	130	565	520	100	1335
50	28	800	585	145	620	585	125	1770
63	32	900	655	155	700	645	160	2930
80	36	1000	705	165	800	710	200	3070
100	40	1120	775	170	885	790	250	4070
125	44	1250	845	195	1000	860	320	5200