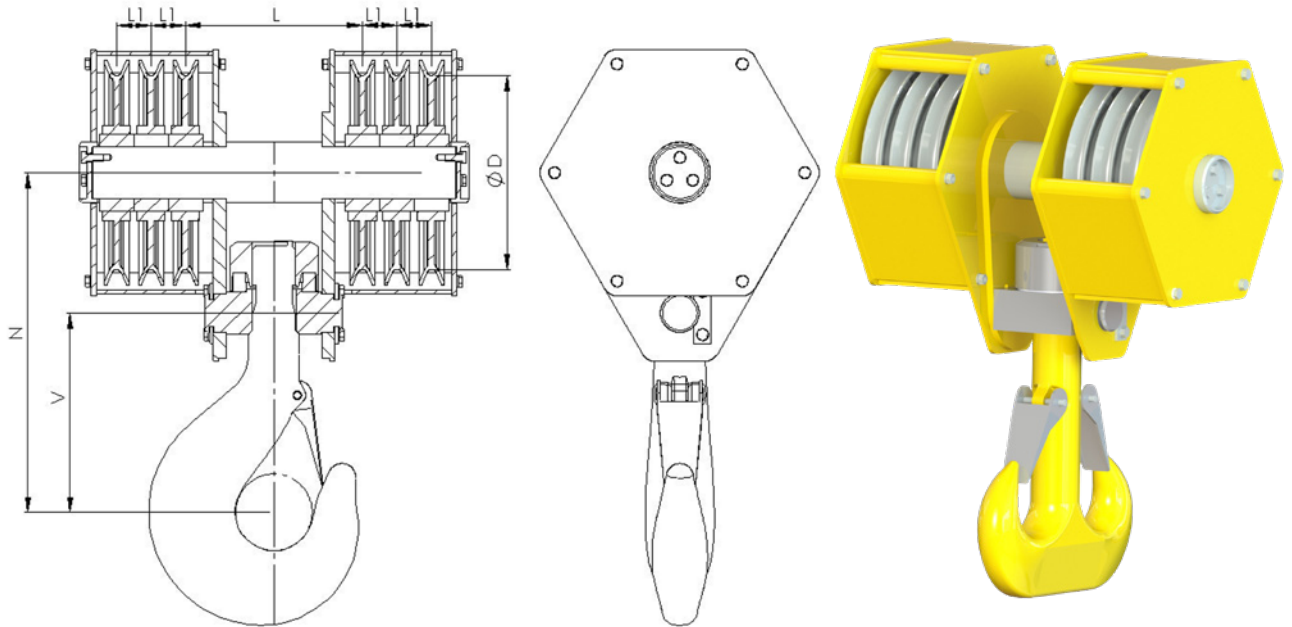


## OVERHEAD/GANTRY CRANE BLOCKS

### Medium duty blocks Six Sheaves Block



- WLL: from 50t to 300t. Further sizes upon request.
- Hook: Single or Ramshorn. Forged and heat treated fully machined with nut & crosshead. Max size: 63 acc to DIN15400. Material grades: carbon (P) or alloy (T/V). Further hook sizes and higher alloy steels upon request.
- Sheave: 6 (12 falls). Cold Laminated, Welded or Solid. Further sheaves upon request.
- Bearing: axial for hook assembly + roller/ball for sheaves.
- Coating Protection: fully painted inside & outside.
- Certificate: EN10204-2.1. Load Test & FAT upon request.

MEDIUM DUTY BLOCKS   SIX SHEAVES BLOCK								
Overall dimensions (mm)							WLL (t) 1Bm/M3	Weight
Hook No	Ø Wire rope	D	L	L1	V	N	P	kg
20	20	390	360	76	415	725	50	800
25	22	450	410	80	460	785	63	864
32	22	570	460	100	500	975	80	1000
40	24	650	500	105	565	1090	100	1320
50	26	720	570	115	620	1190	125	1680
63	28	820	640	145	700	1330	160	2940