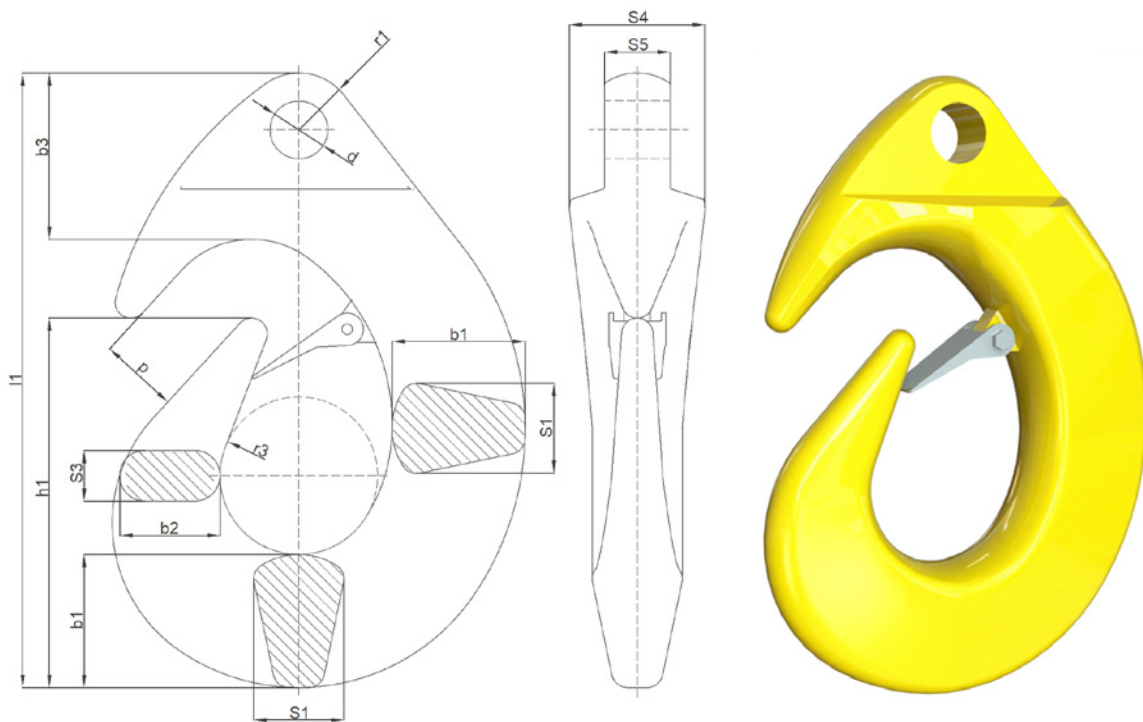


EYE HOOKS

Eye forged single hooks based on recognized european designs & Irizar designs
Eye forged single CARGO hook based on DIN82017 design



- WLL: from 10t to 100t. Larger ones upon request.
- Hook forged and heat treated.
- Material: carbon, alloys and super alloys. Stainless steels available upon request.
- Mechanical properties: P, V.
- Safety Factor: min. 4:1 with the highest material grade.
- Load Test: requested / recommended.
- Certificate: EN10204-3.1. For 3.2, ILO-3, FAT or Breaking Test available upon request.

EYE FORGED SINGLE CHAIN HOOK BASED ON DIN7540 DESIGN																
Overall dimensions (mm)																Weight
No	WLL (t)	b1	b2	b3	d	h1	l1	p	r1	r3	S1	S3	S4	S5		kg
														A	B	
1	2	42	33	50	17,5	117	192	25	18	25	28	16	40	19	16	3
2	4	54	42	69	24	150	251	32	25	32	36	20	58	27	22	7
3	6	68	53	82	30	188	310	40	30	40	46	26	72	35	28	11
5	10	84	66	103	39	234	387	50	38	50	56	32	92	44	35	20
6	12	94	73	114	42	262	432	56	43	56	64	36	102	50	40	27
8	16	106	83	129	48	295	487	63	48	63	72	40	115	56	45	38
10	20	118	92	150	52	328	548	70	55	70	80	45	125	61	50	59
12	24	135	105	172	56	375	627	80	60	80	91	51	138	68	55	78
16	32	152	114	190	66	422	702	90	65	90	103	58	155	75	60	118
20	40	170	133	202	74	470	772	100	70	100	115	64	172	84	65	166
25	50	190	153	220	78	522	852	110	75	110	128	72	192	94	70	250
32	65	203	167	246	86	562	928	120	85	120	137	77	204	102	80	390
40	80	225	189	272	96	618	1020	130	95	130	152	85	225	117	90	610

WLL: for V material grade.

Tolerances: -0/+7% forging tolerance.

Modifications: H, D and A. Others upon request.