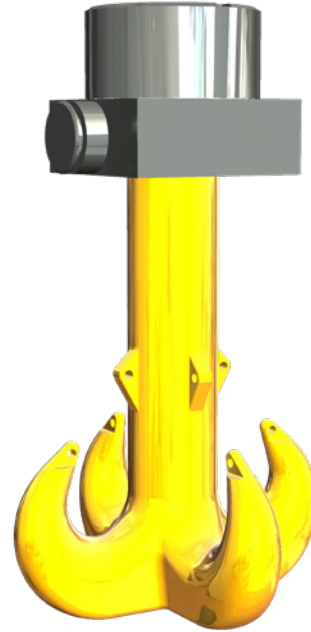
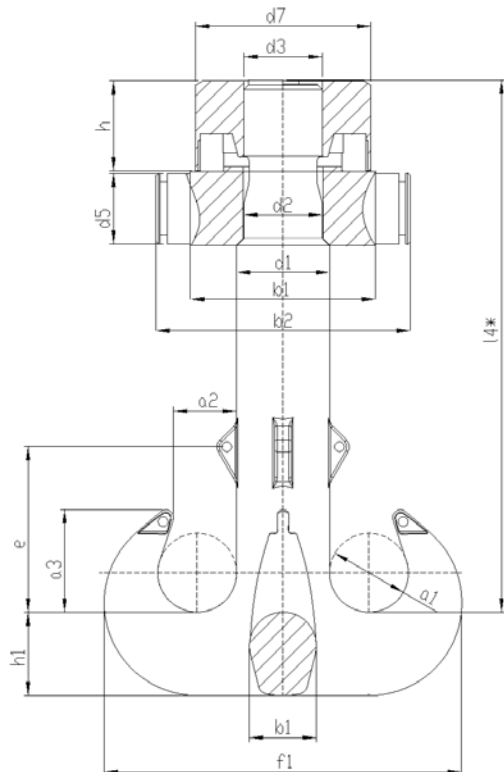


# SHANK HOOKS BASED ON EN13001-3-5:2016

Quad forged hooks based on DIN15402-C design  
**Machined fitted with nut, crosshead and bearing**



- WLL: from 160t to 4.000t with equal load on 4 prongs/horns.
- Hook, nut and crosshead forged, heat treated and thread fully machined as per DIN15403 design.
- Material: super alloys.
- Mechanical properties: V, W.
- Safety Factor: min. 4:1 with the highest material grade.
- Load Test: requested / recommended.
- Certificate: EN10204-3.1. For 3.2, ILO-3, FAT or Breaking Test available upon request.

QUAD FORGED HOOKS BASED ON DIN15402-C   MACHINED FITTED WITH NUT, CROSSHEAD AND BEARING																		
Overall dimensions (mm)													DIN15412 Crosshead			DIN15413 Nut	Weight	
No	WLL (t)	a1	a2	a3	b1	d1	e	f1	h1	d2 h11	d3	l4*	b1	b2	d5 h9	d7	h	kg
16	160	112	90	146	95	132	237	508	118	110	Rd110x12	768	260	378	100	240	131	231
20	200	125	100	163	106	150	265	575	132	125	Rd125x14	863	285	415	110	270	144	325
25	250	140	112	182	118	170	315	650	150	140	Rd140x16	944	335	465	125	320	153	472
32	320	160	125	205	132	190	335	730	170	160	Rd160x18	1072	380	522	140	360	181	679
40	400	180	140	230	150	212	375	816	190	180	Rd180x20	1212	420	565	160	400	198	1106
50	500	200	160	260	170	236	420	908	212	200	Rd200x22	1351	470	645	180	445	228	1321
63	640	224	180	292	190	265	460	1019	236	225	Rd225x24	1522	510	685	200	490	246	1838
80	800	250	200	325	212	300	515	1150	265	250	Rd250x28	1714	550	750	220	530	274	2523
100	1000	280	224	364	236	335	575	1285	300	280	Rd280x32	1962	610	810	240	590	343	3598
125	1260	315	250	408	265	375	645	1440	335	320	Rd320x36	2217	700	920	260	680	383	5115
160	1600	355	280	458	300	425	725	1630	375	370	Rd360x36	2505	790	1030	280	760	433	7220
200	2000	400	315	515	335	475	800	1825	425	415	Rd400x36	2820	895	1145	300	865	482	10195
250	2600	450	355	580	375	550	875	2100	475	480	Rd480x36	3175	1005	1265	320	975	540	14475
320	3200	500	400	650	425	625	950	2390	530	550	Rd550x36	3570	1110	1390	345	1090	600	20410
400	4000	560	450	730	475	725	1045	2775	600	640	Rd640x36	4020	1225	1520	370	1220	670	29100

WLL based on V material grade.  
 Tolerances: -0/+7% forging tolerance. Machining tolerances as per DIN15403.  
 Modifications: Shank length (L). Further dimensions upon request.  
 Hook section: b1xH; other sections can be design.