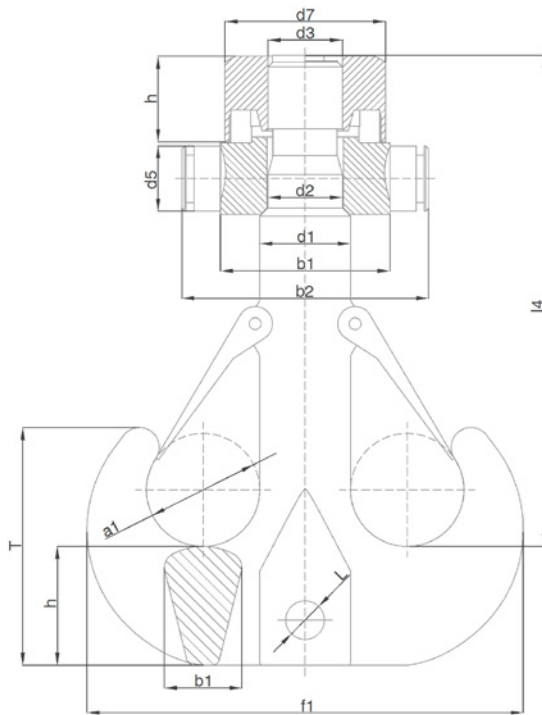


## SHANK HOOKS BASED ON EN13001-3-5:2016

### Ramshorn forged hooks based on recognized european standards

Ramshorn forged hooks based on BS3017:1958 design

Machined fitted with nut, crosshead and bearing



- WLL: from 5t to 1.000t (bottom hole excluded).
- Hook and Nut and Crosshead forged, heat treated and thread fully machined as per DIN15403 design.
- Material: carbon, alloys and super alloys. Stainless steels available upon request.
- Mechanical properties: P, S, T, V, W.
- Safety Factor: min. 4:1 with the highest material grade.
- Load Test: requested / recommended.
- Certificate: EN10204-3.1. For 3.2, ILO-3, FAT or Breaking Test available upon request.

| RAMSHORN FORGED HOOKS BASED ON BS3017:1958   MACHINED FITTED WITH NUT, CROSSHEAD AND BEARING |     |     |     |     |     |     |      |        |          |      |                    |     |       |              |     |        |
|--|-----|-----|-----|-----|-----|-----|------|--------|----------|------|--------------------|-----|-------|--------------|-----|--------|
| Overall dimensions (mm)  |     |     |     |     |     |     |      |        |          |      | DIN15412 Crosshead |     |       | DIN15413 Nut |     | Weight |
| No   | a1  | d1  | h   | L   | b1  | T   | f1   | d2 h11 | d3       | l4   | b1                 | b2  | d5 h9 | d7           | h   | kg     |
| B10  | 95  | 76  | 100 | 33  | 65  | 200 | 366  | 64     | Rd64x8   | 435  | 160                | 230 | 55    | 145          | 76  | 46     |
| B15  | 108 | 83  | 108 | 40  | 70  | 219 | 412  | 64     | Rd64x8   | 435  | 160                | 230 | 55    | 145          | 76  | 58     |
| B20  | 120 | 102 | 117 | 46  | 76  | 238 | 458  | 80     | Rd80x10  | 562  | 190                | 275 | 70    | 175          | 91  | 73     |
| B25  | 133 | 114 | 132 | 46  | 86  | 267 | 510  | 90     | Rd90x10  | 628  | 200                | 295 | 80    | 185          | 102 | 91     |
| B30  | 145 | 121 | 144 | 56  | 94  | 291 | 556  | 100    | Rd100x12 | 696  | 220                | 318 | 90    | 205          | 113 | 112    |
| B35  | 153 | 127 | 156 | 56  | 101 | 313 | 584  | 100    | Rd100x12 | 696  | 220                | 318 | 90    | 205          | 113 | 135    |
| B40  | 162 | 133 | 162 | 59  | 105 | 329 | 616  | 110    | Rd110x12 | 768  | 260                | 378 | 100   | 240          | 131 | 165    |
| B45  | 170 | 140 | 175 | 59  | 114 | 351 | 654  | 110    | Rd110x12 | 768  | 260                | 378 | 100   | 240          | 131 | 203    |
| B50  | 178 | 146 | 181 | 65  | 118 | 365 | 684  | 110    | Rd110x12 | 768  | 260                | 378 | 100   | 240          | 131 | 246    |
| B60  | 191 | 152 | 200 | 65  | 130 | 400 | 732  | 125    | Rd125x14 | 863  | 285                | 415 | 110   | 270          | 144 | 301    |
| B70  | 202 | 159 | 210 | 75  | 136 | 425 | 792  | 125    | Rd125x14 | 863  | 285                | 415 | 110   | 270          | 144 | 362    |
| B80  | 211 | 165 | 225 | 75  | 147 | 452 | 812  | 125    | Rd125x14 | 863  | 285                | 415 | 110   | 270          | 144 | 435    |
| B100   | 229 | 178 | 251 | 84  | 163 | 498 | 882  | 140    | Rd140x16 | 944  | 335                | 465 | 125   | 320          | 153 | 524    |
| B120   | 242 | 191 | 273 | 90  | 177 | 540 | 946  | 160    | Rd160x18 | 1072 | 380                | 522 | 140   | 360          | 181 | 626    |
| B140   | 255 | 203 | 289 | 97  | 188 | 575 | 1004 | 160    | Rd160x18 | 1072 | 380                | 522 | 140   | 360          | 181 | 753    |
| B160   | 267 | 216 | 308 | 106 | 200 | 610 | 1054 | 180    | Rd180x20 | 1212 | 420                | 565 | 160   | 400          | 198 | 897    |
| B180   | 279 | 229 | 327 | 113 | 213 | 641 | 1118 | 180    | Rd180x20 | 1212 | 420                | 565 | 160   | 400          | 198 | 1085   |
| B200   | 287 | 241 | 346 | 116 | 225 | 679 | 1268 | 200    | Rd200x22 | 1351 | 470                | 645 | 180   | 445          | 228 | 1275   |
| B250   | 317 | 279 | 405 | 136 | 263 | 762 | 1308 | 225    | Rd225x24 | 1522 | 510                | 685 | 200   | 490          | 246 | 1550   |
| B300   | 343 | 305 | 422 | 141 | 274 | 804 | 1396 | 250    | Rd250x28 | 1714 | 550                | 750 | 220   | 530          | 274 | 1850   |
| B350   | 356 | 318 | 451 | 152 | 293 | 845 | 1474 | 250    | Rd250x28 | 1714 | 550                | 750 | 220   | 530          | 274 | 2221   |
| B400   | 381 | 343 | 479 | 161 | 311 | 899 | 1570 | 280    | Rd280x32 | 1962 | 610                | 810 | 240   | 590          | 343 | 2668   |

Tolerances: -0/+7% forging tolerance. Machining tolerances as per DIN15403.  
 Modifications: Shank length (L). Further dimensions upon request.  
 Hook section: b1xH: other sections can be design.