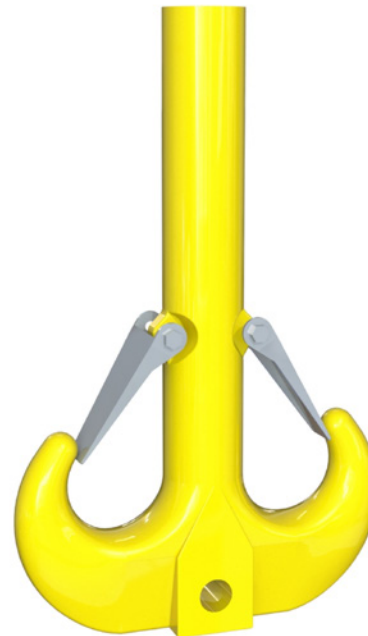
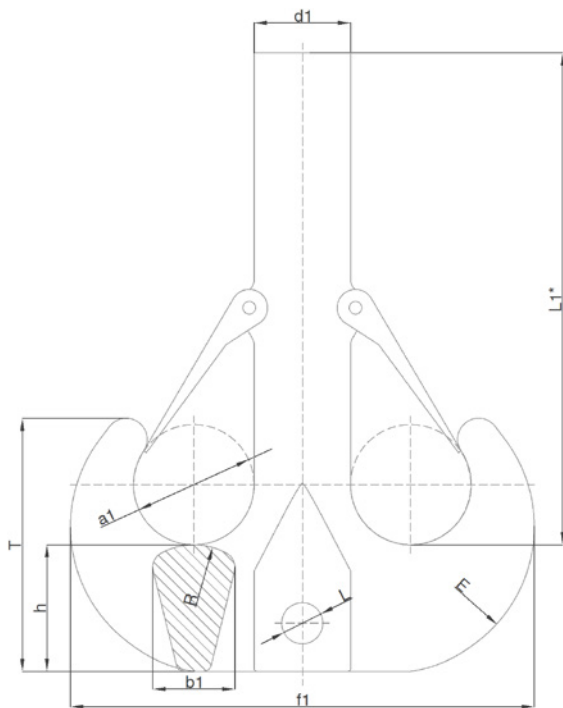


# SHANK HOOKS BASED ON EN13001-3-5:2016

**Ramshorn forged hooks based on recognized european standards**  
 Ramshorn forged hooks based on BS3017:1958 design  
**Unmachined**



- WLL: from 5t to 1.000t (bottom hole excluded).
- Hook forged and heat treated. Machining recommended to perform by manufacturer.
- Material: carbon, alloys and super alloys. Stainless steels available upon request.
- Mechanical properties: P, S, T, V, W.
- Safety Factor: min. 4:1 with the highest material grade.
- Load Test: requested / recommended after machining.
- Certificate: EN10204-3.1. For 3.2, ILO-3, FAT or Breaking Test available upon request.

RAMSHORN FORGED HOOKS BASED ON BS3017:1958   UNMACHINED											
Overall dimensions (mm)											Weight
No	a1	E	d1	h	L	b1	L1*	R	T	f1	kg
B10	95	114	76	100	33	65	510	2	200	366	40
B15	108	129	83	108	40	70	580	2	219	412	50
B20	120	143	102	117	46	76	650	63	238	458	63
B25	133	157	114	132	46	86	715	71	267	510	79
B30	145	173	121	144	56	94	715	78	291	556	97
B35	153	184	127	156	56	101	790	84	313	584	118
B40	162	194	133	162	59	105	790	87	329	616	143
B45	170	203	140	175	59	114	885	94	351	654	175
B50	178	210	146	181	65	118	885	98	365	684	214
B60	191	229	152	200	65	130	965	108	400	732	262
B70	202	241	159	210	75	136	965	113	425	792	315
B80	211	260	165	225	75	147	1090	122	452	812	375
B100	229	289	178	251	84	163	1090	135	498	882	452
B120	242	311	191	273	90	177	1235	147	540	946	545
B140	255	327	203	289	97	188	1235	156	575	1004	655
B160	267	346	216	308	106	200	1235	166	610	1054	780
B180	279	365	229	327	113	213	1375	177	641	1118	935
B200	287	384	241	346	116	225	1375	187	679	1268	1109
B250	317	432	279	405	136	263	1550	219	762	1308	1335
B300	343	457	305	422	141	274	1745	228	804	1396	1610
B350	356	483	318	451	152	293	1745	244	845	1474	1915
B400	381	518	343	479	161	311	1998	259	899	1570	2300

Tolerances: -0/+7% forging tolerance.  
 Modifications: Shank length (L). Further dimensions upon request.  
 Hook section: b1xH: other sections can be design.