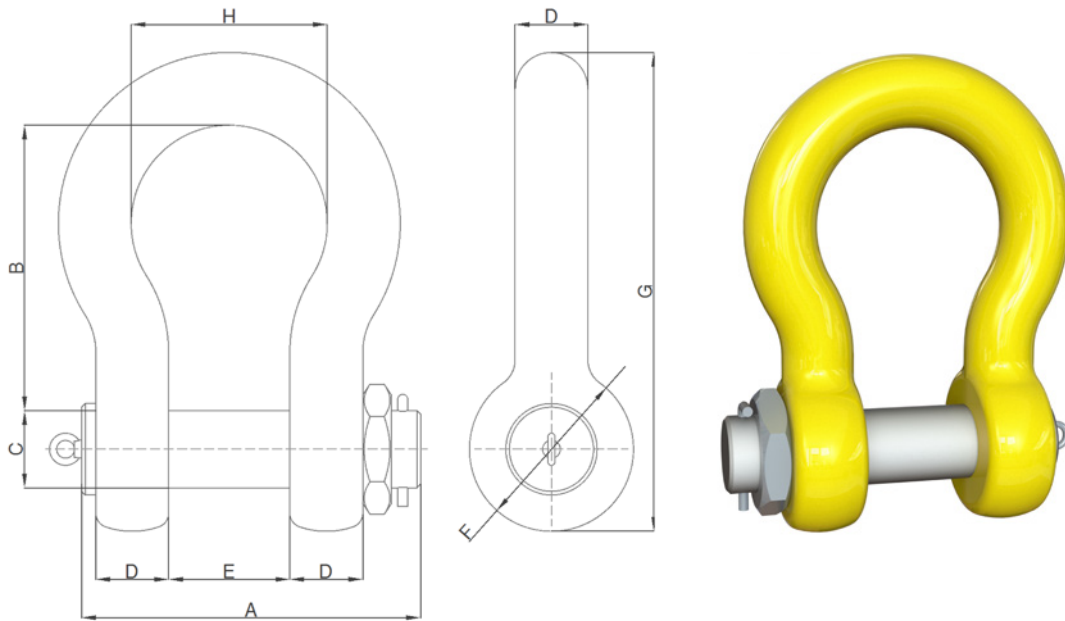


## HEAVY DUTY BOW FORGED SHACKLES



- WLL: from 120t to 2.000t.
- Shackle forged, heat treated and machined.
- Material: carbon steel, alloy and super alloy. Most regular super alloy steel (R4).
- Coating Protection: upon request.
- Safety Factor: min. 4:1.
- Load Test: requested and recommended. ILO-3, FAT or Breaking Test available upon request.
- Certificate: EN10204-3.1. For 3.2, Mooring Accessory Cert with ABS and DNV upon request.

HEAVY DUTY BOW FORGED SHACKLES									
Overall dimensions (mm)									Weight
WLL (t)	A	B	C	D	E	F	G	H	kg
120	420	380	95	89	150	200	617	238	110
150	475	400	108	102	170	230	671	275	160
200	520	500	125	120	180	260	813	290	235
250	560	540	140	125	205	260	865	305	285
300	570	600	150	130	205	305	958	305	340
400	665	680	175	165	230	350	1108	325	560
500	720	700	185	180	255	370	1158	350	685
600	815	700	205	195	285	405	1200	375	880
700	860	700	217	205	310	435	1231	400	980
800	870	700	217	210	310	435	1236	400	1100
900	910	700	230	220	330	465	1268	420	1280
1000	950	750	240	230	350	480	1290	420	1460
1250	1105	780	270	278	370	590	1490	450	2320
1500	1105	800	290	280	370	610	1530	450	2450
1750	1230	950	330	300	430	660	1745	540	3280
2000	1300	1050	360	320	460	680	1890	560	3920

WLL: for R4 material grades.

Tolerances: Inner length +/-7,5%, other forged parts +/-5% and machined parts +/-1%.